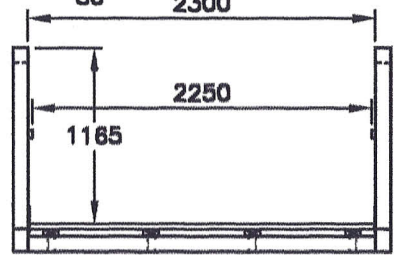
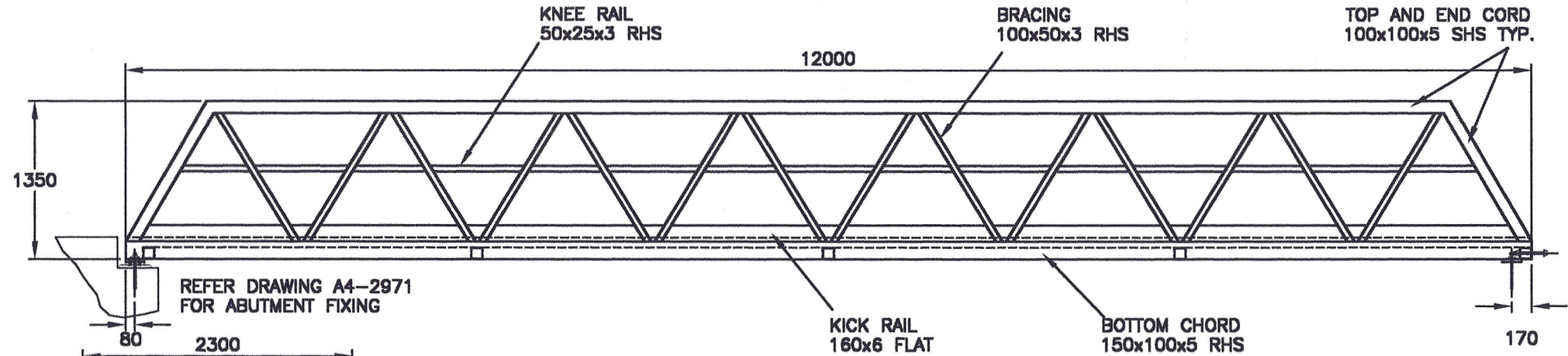
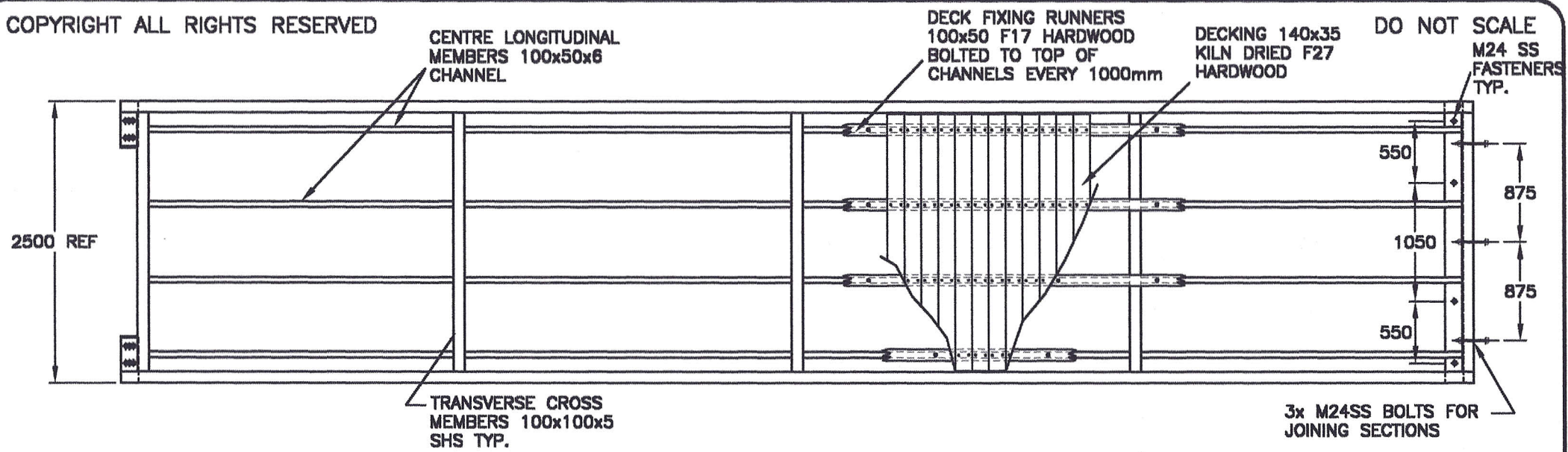


COPYRIGHT ALL RIGHTS RESERVED



ALL ALUMINIUM EXTRUSIONS ARE TO BE OF GRADE 6063-T5 OR EQUIVALENT.  
 ALL ALUMINIUM STRUCTURES SHALL BE FABRICATED AND ERECTED IN ACCORDANCE WITH AS/NZS 1664:1997  
 ALL WELDING SHALL BE CARRIED OUT IN ACCORDANCE WITH AS 1665.  
 UNLESS OTHERWISE STATED, ALL WELDS SHALL BE CONTINUOUS 5mm FILLET WELDS.  
 UNLESS OTHERWISE STATED, FILLER ALLOY SHALL BE OF GRADE 5356.  
 WELDING SHALL BE CARRIED OUT BY QUALIFIED PERSONNEL WITH EXPERIENCE IN THE FABRICATION OF ALUMINIUM STRUCTURES.  
 PERSONNEL AND PROCEDURES SHALL BE QUALIFIED WITH THE TESTING OF WELD SAMPLES AS SPECIFIED IN AS 1665-1992.  
 ALL WELDS UNLESS NOTED OTHERWISE SHALL HAVE A MINIMUM WELD QUALITY OF WELD CATEGORY B AS SPECIFIED IN AS 1665-1992 TABLE 6.1

**MARINE DOCK SYSTEMS  
PTY LTD**

**ALUMINIUM BRIDGE  
12.0M x 2.25M**

**GENERAL  
ARRANGEMENT**



SCALE	N.T.S.	DWG	<b>A4-2970</b>	
DRAWN	JPM	REV	B	24,11,03
DATE	31,1,02	CHK		APP'D